

PRATIC[®]

Industrial Application



Catalogue

- 1、 Aerospace
- 2、 Rail Transit
- 3、 Nuclear Power
- 4、 Machinery Parts
- 5、 Electronic Appliance
- 6、 Auto Parts
- 7、 Construction Profile

PRATIC[®]

Aerospace





Aircraft Seat Guide Rail

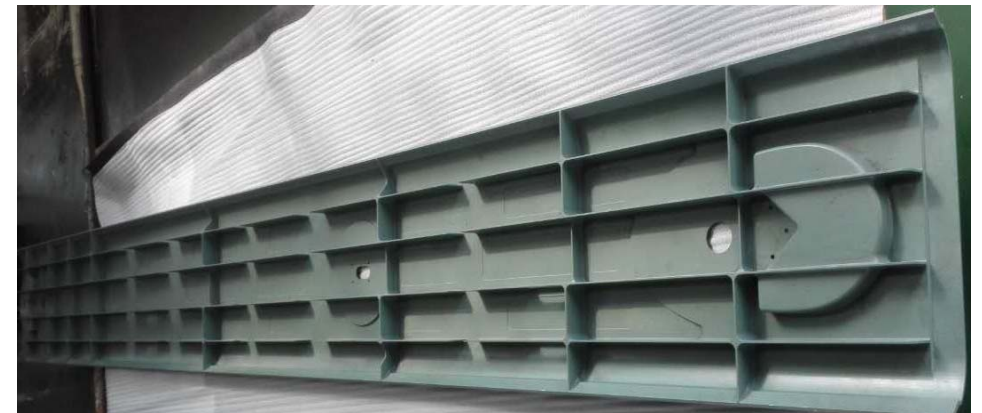


Wing Accessories





Plane Body Structure



Rail Transit



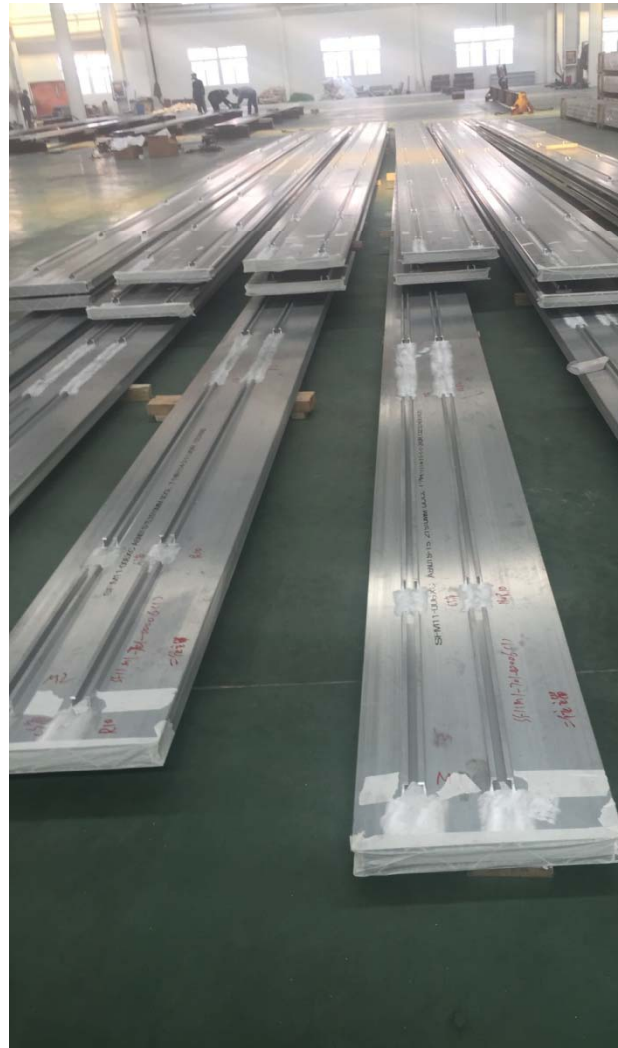


Car Door Frame





Car Frame Structure



PRATIC[®]

Rail Transit Pictures from Customer



Nuclear Power



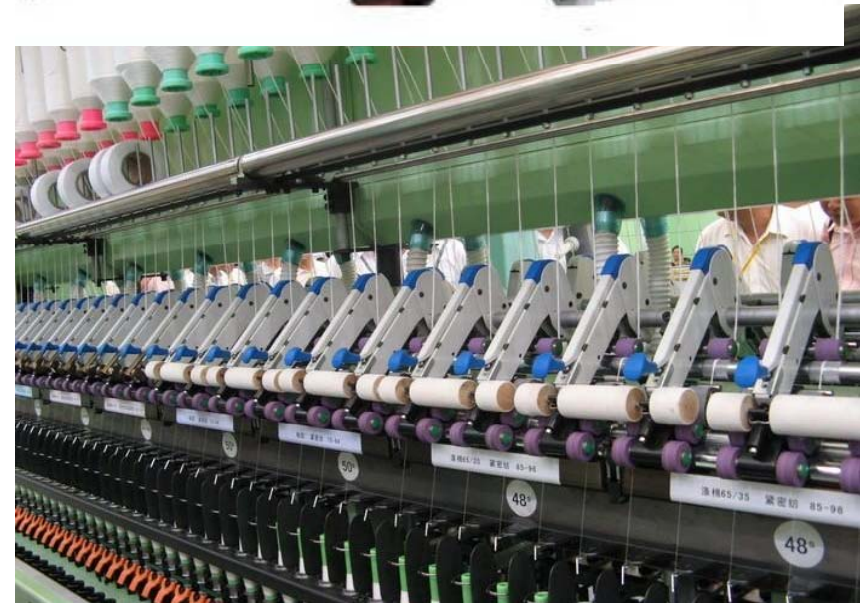
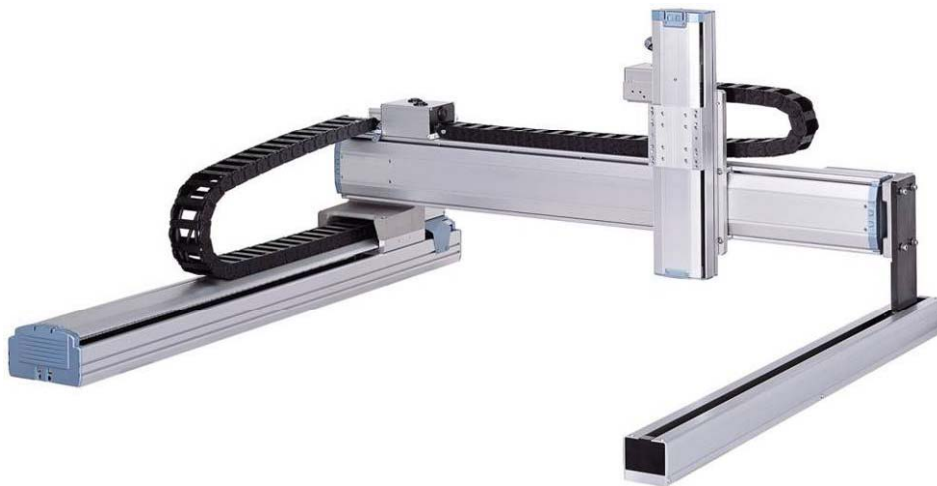
PRATIC[®]

Pictures from Customer



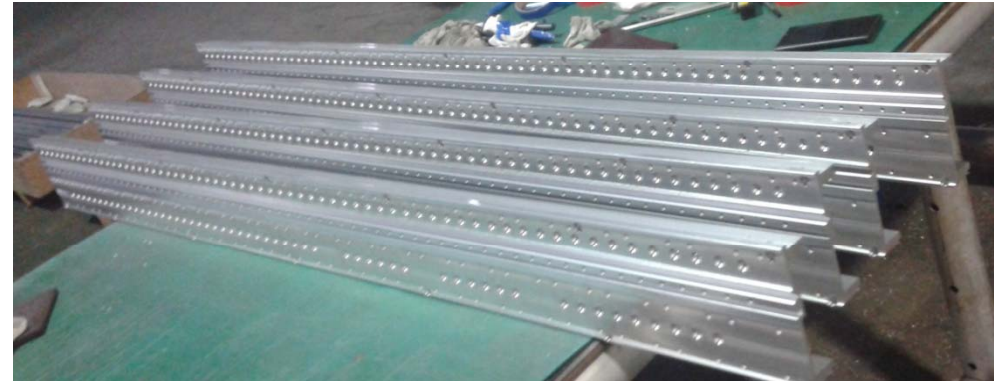
PRATIC[®]

Machinery Parts: Industrial Printers, Manipulators, Linear Modules, Textile Machinery etc



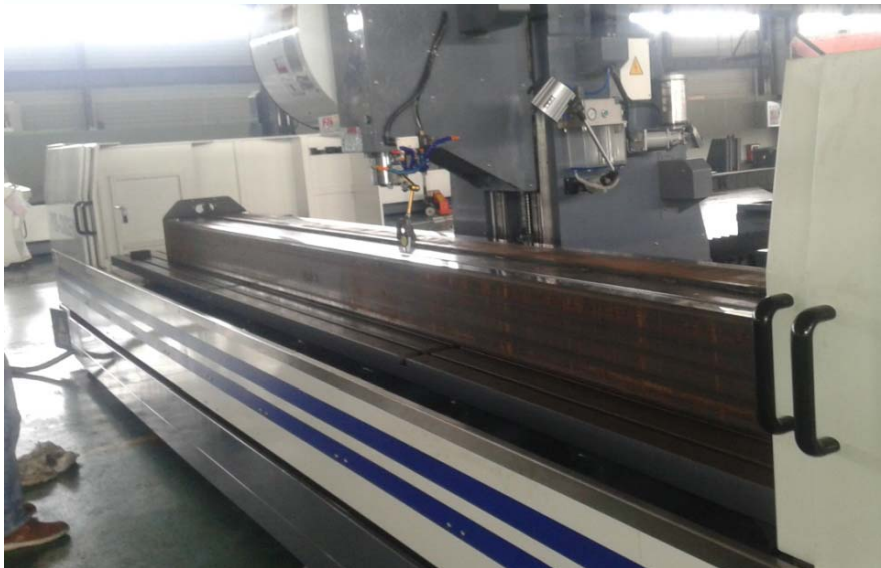
PRATIC[®]

Pictures of Industrial Printers



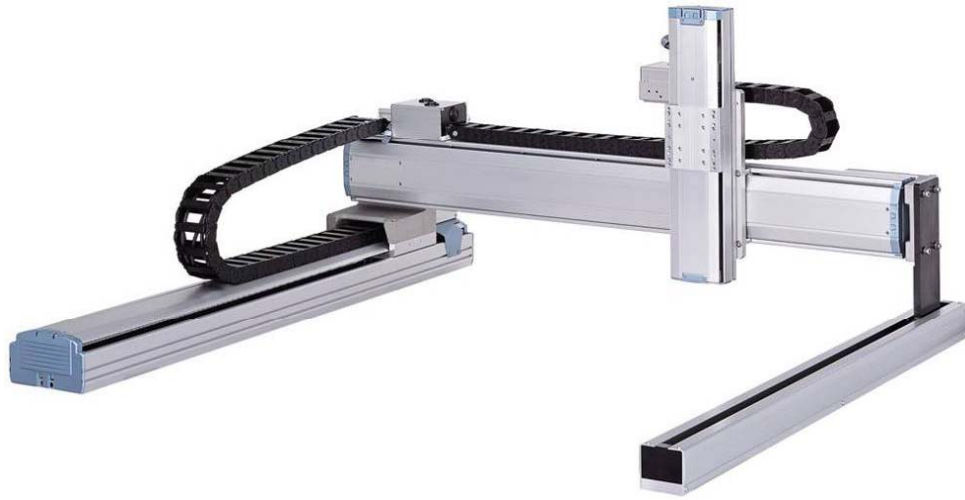
PRATIC[®]

Pictures of Manipulator Guide Rails



PRATIC®

Pictures of Linear Modules



PRATIC[®]

Pictures of Manipulator Guide Rails



PRATIC[®]

Television Frame



Auto Parts



PRATIC[®]

Auto Parts Pictures From Customer





Construction Profiles: Steel Structure, Doors and Windows, Curtain Wall and Mobile Sheds



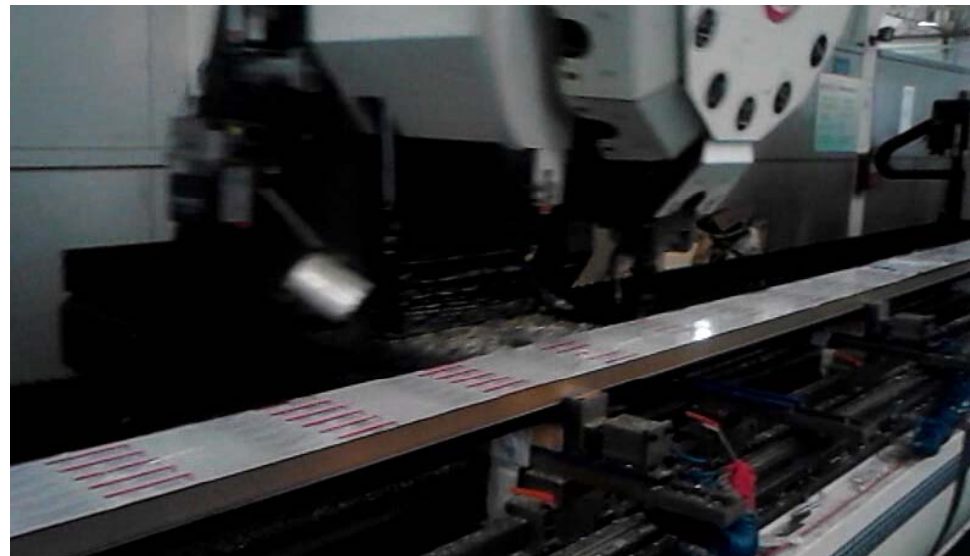
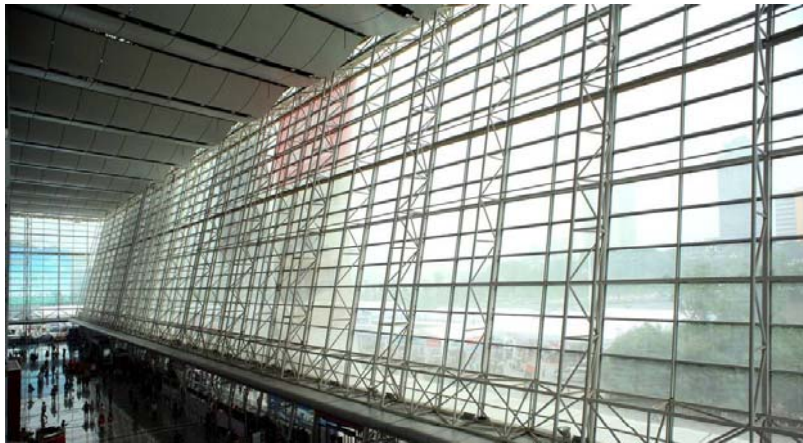
PRATIC[®]

Mobile Sheds



PRATIC[®]

Doors and Windows, Curtain Wall



Thank you!